

# The Fault Diagnosis of Event Timing System in SuperKEKB

D. Wang, K. Furukawa, M. Satoh, H. Kaji, H. Sugimura,

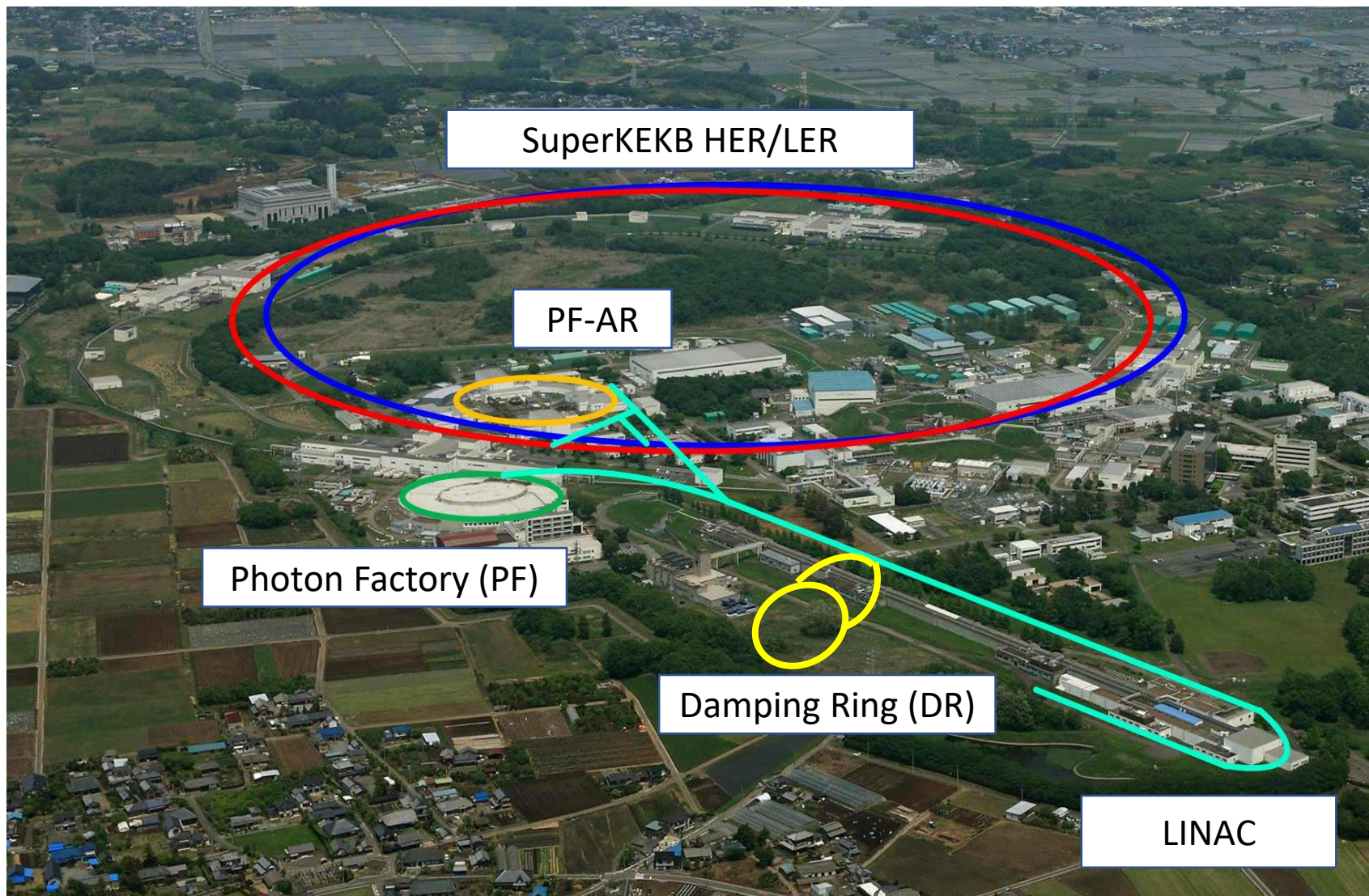
T. Kudou, S. Kusano, Y. Iitsuka

KEK

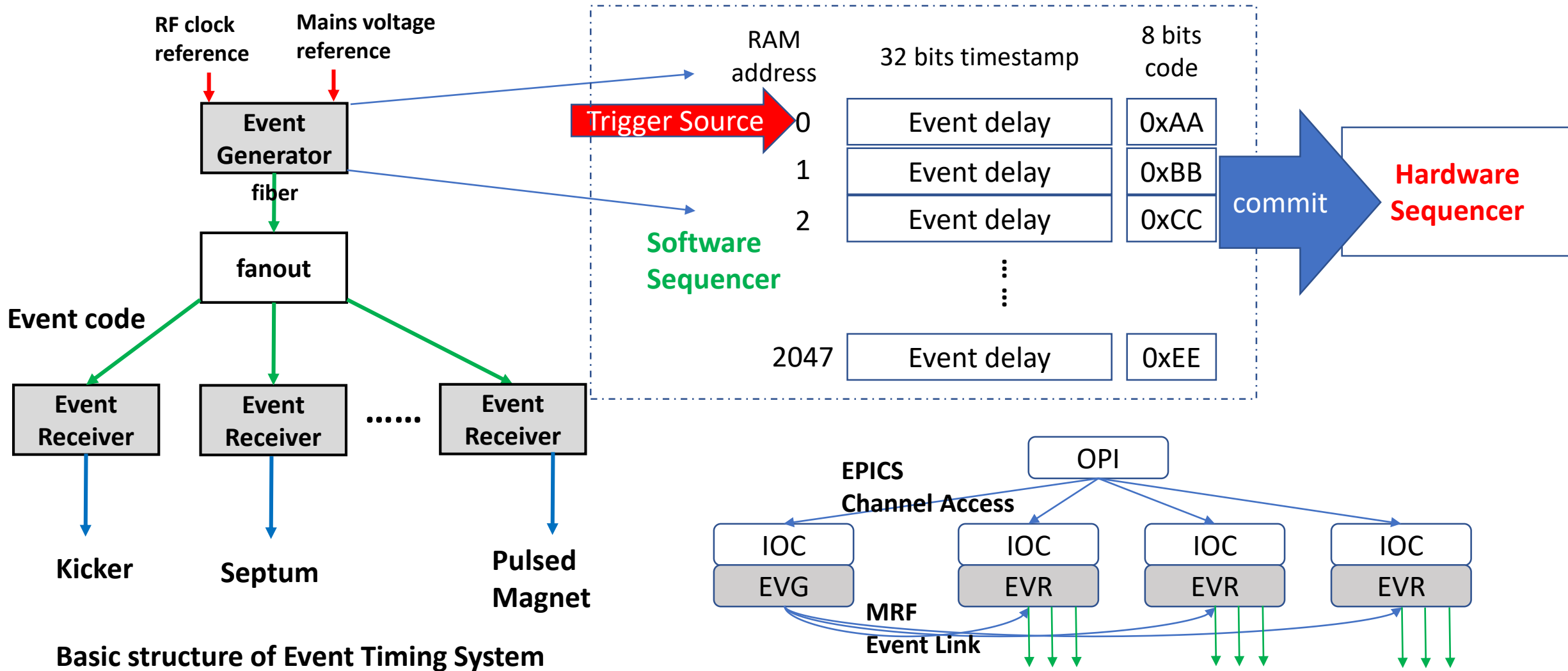


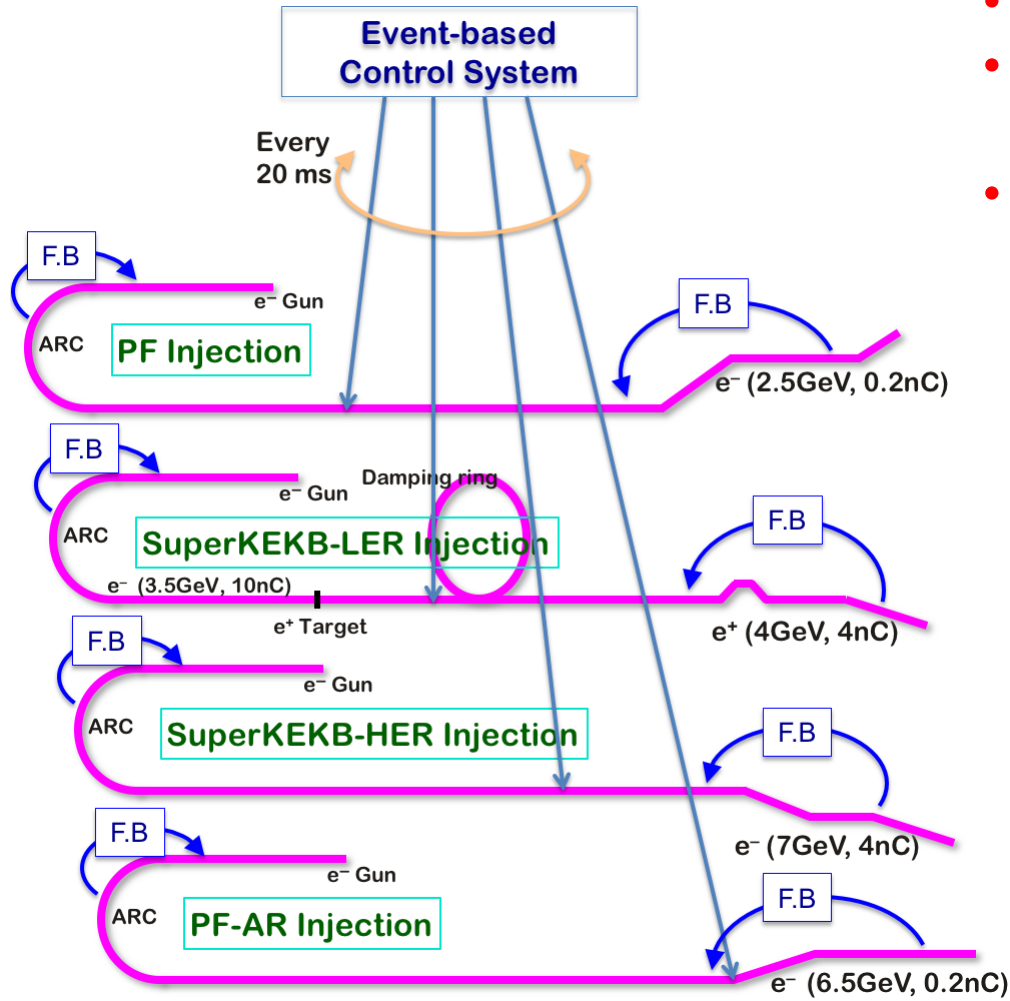
- Event Timing System in SuperKEKB
- Event Fault Diagnosis System
  - Data Acquisition
  - Data Processing
- Fault Diagnosis
  - Beam Mode Replacement
  - Redundant Beam Mode
- Conclusion and Outlook

# Event Timing System in SKEKB



# Event Timing System in SKEKB



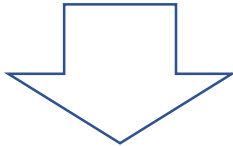


- **Simultaneous injection to 4 rings !**
- **High precision: jitter less than 30 ps for MR, 300/700 ps for PF/PF-AR !**
- **Every pulse synchronized with 50 Hz AC power supply !**

- MRF's series Event Generator and Receivers
  - VME-EVG-230: 4
  - VME-EVR-230-RF: 50
  - PXI-EVR-300 : 20
- 50 Hz beam mode repetition rate
- 114.24 MHz event rate
- **12** kinds of beam mode
- About 120 event codes are defined
- 11 or 12 events every pulse
- EPICS R3.14.12 with mrfioc2 (device support)

# Event Timing System in SKEKB

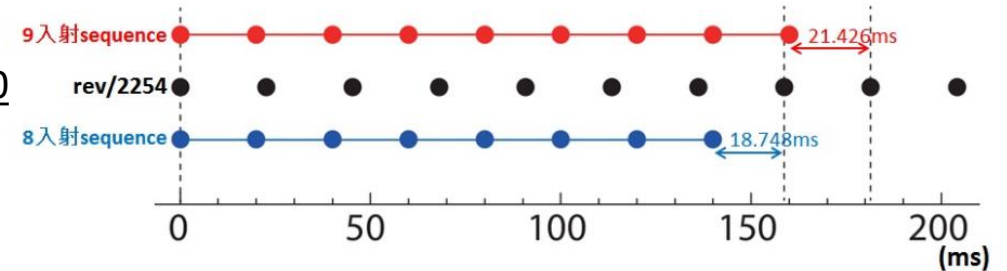
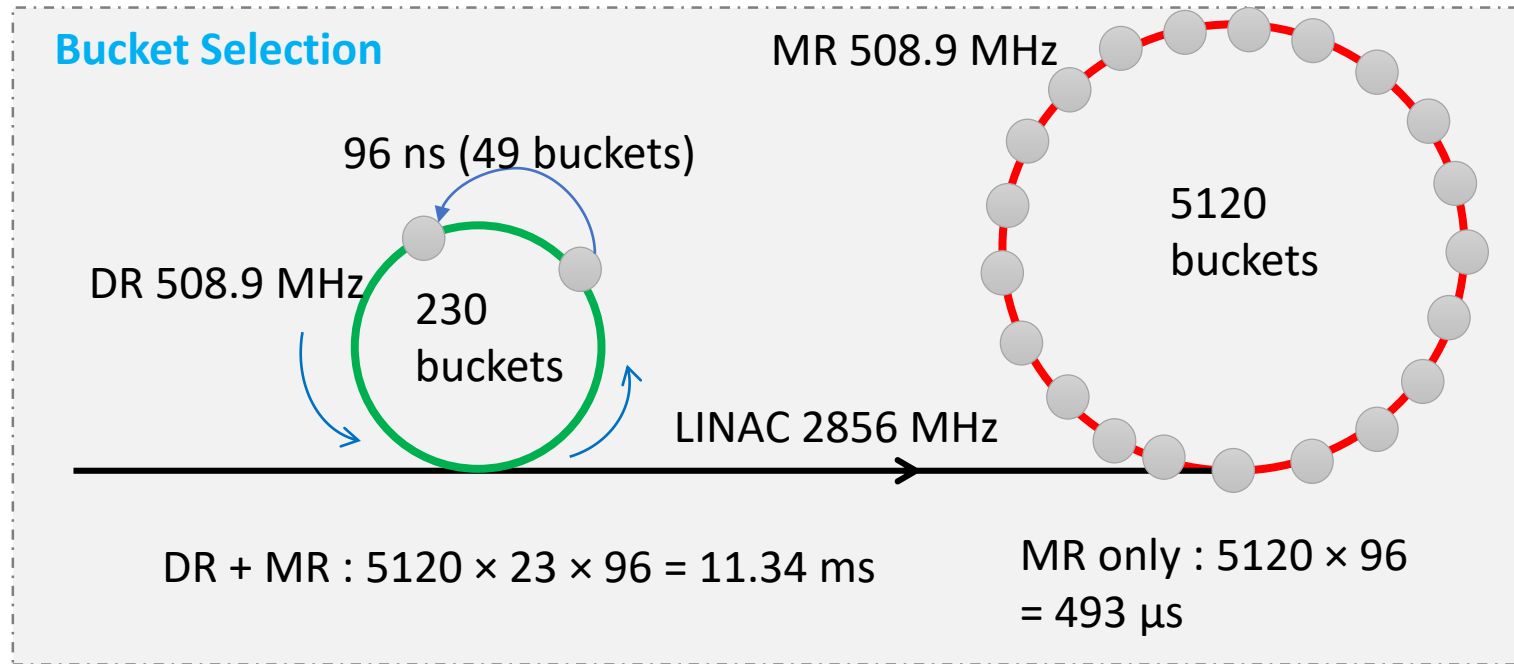
- Common frequency between 2856 MHz and 508.9 MHz is 10.38 MHz (96 ns, 49 buckets duration)
  - Chance of injection timing turns up once per 96ns (49 buckets).
- Requiring two bucket selection timings (injection and extraction at DR, two EVGs are needed)
- The number of combination is  $5120 \times 23$  (least common multiple of DR and MR)
- Can not coincide with AC50 every pulse



16/18 sequences injection, details are talked in

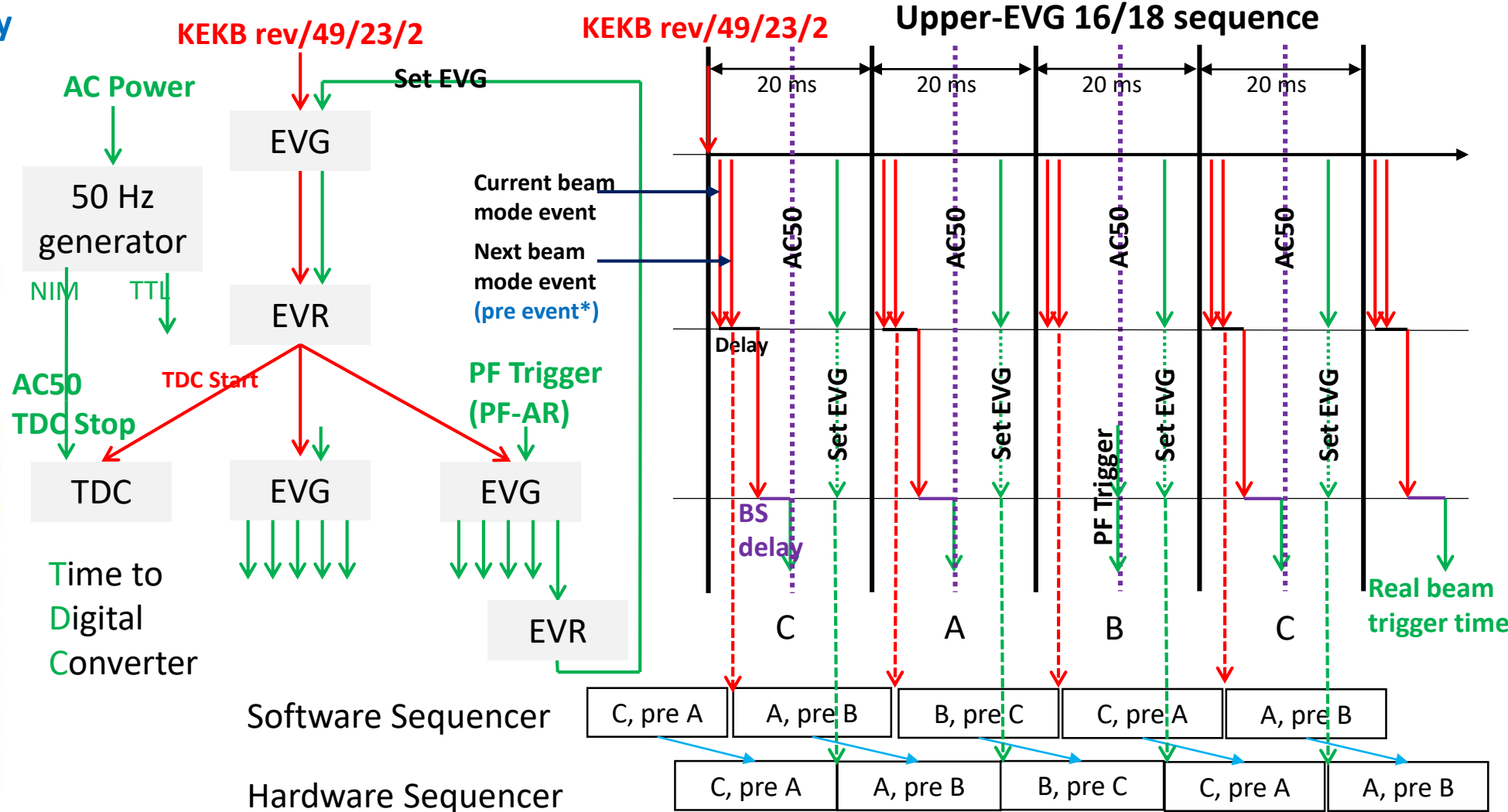
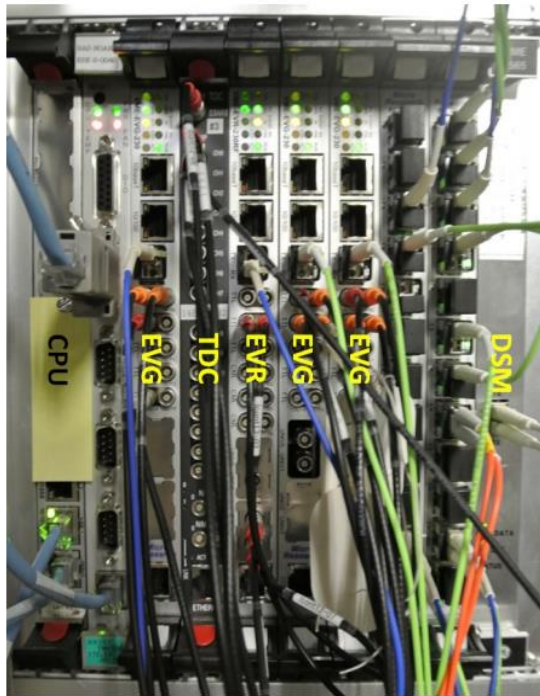
H. Kaji et al. "BUCKET SELECTION SYSTEM FOR SuperKEKB", PASJ 2015 THP100

H. Kaji et al. "INSTALLATION AND COMMISSIONING OF NEW EVENT TIMING SYSTEM FOR SuperKEKB", PASJ 2015 FROL15



# Event Timing System in SKEKB

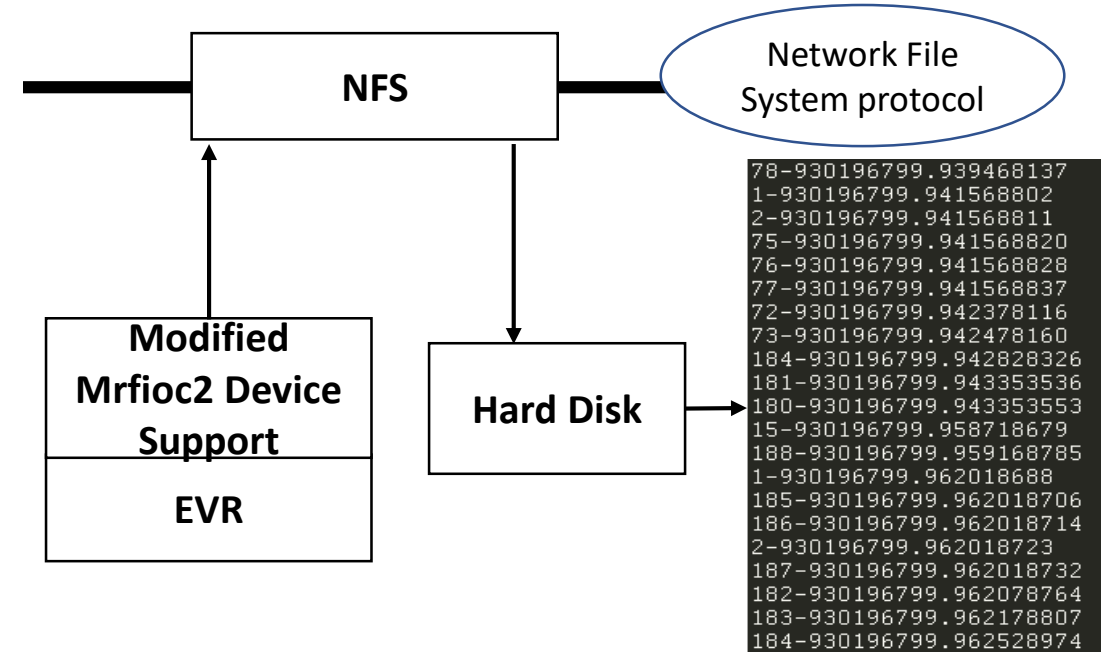
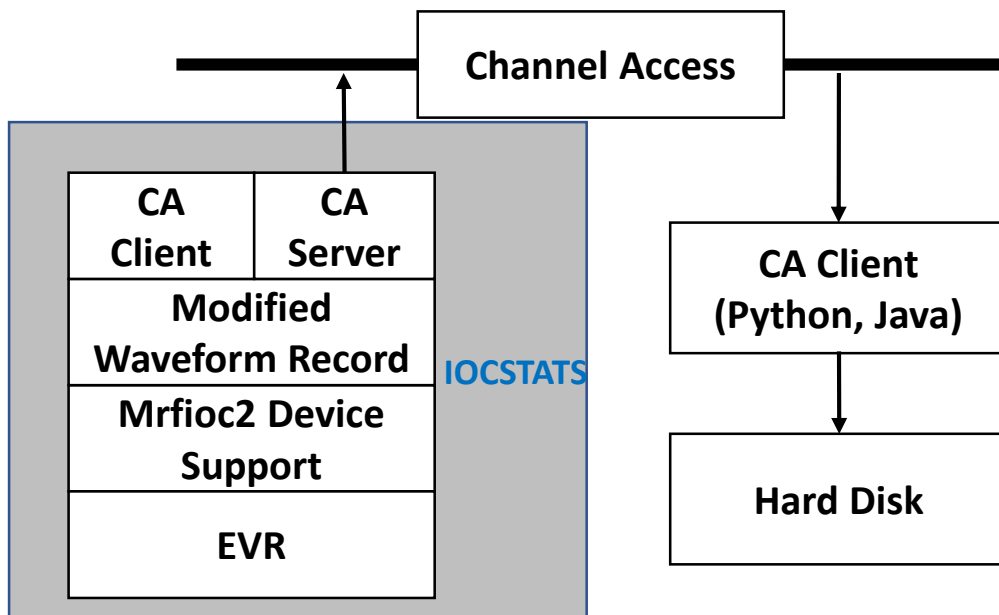
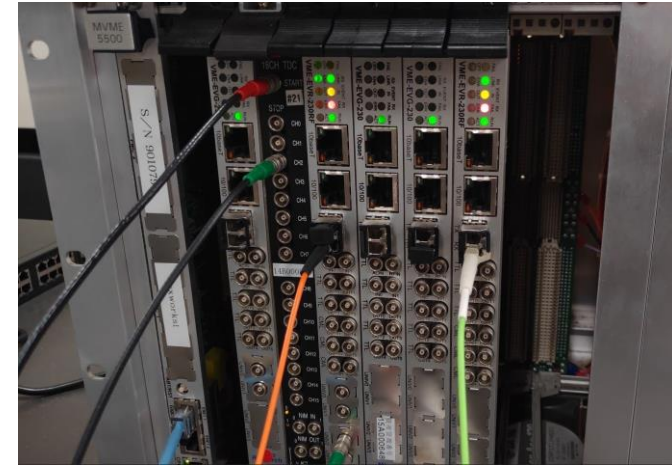
- \*Pre event is necessary because of the kicker charging time



- Event Timing System in SuperKEKB
- **Event Fault Diagnosis System**
  - Data Acquisition
  - Data Processing
- Fault Diagnosis
  - Beam Mode Replacement
  - Redundant Beam Mode
- Conclusion and Outlook

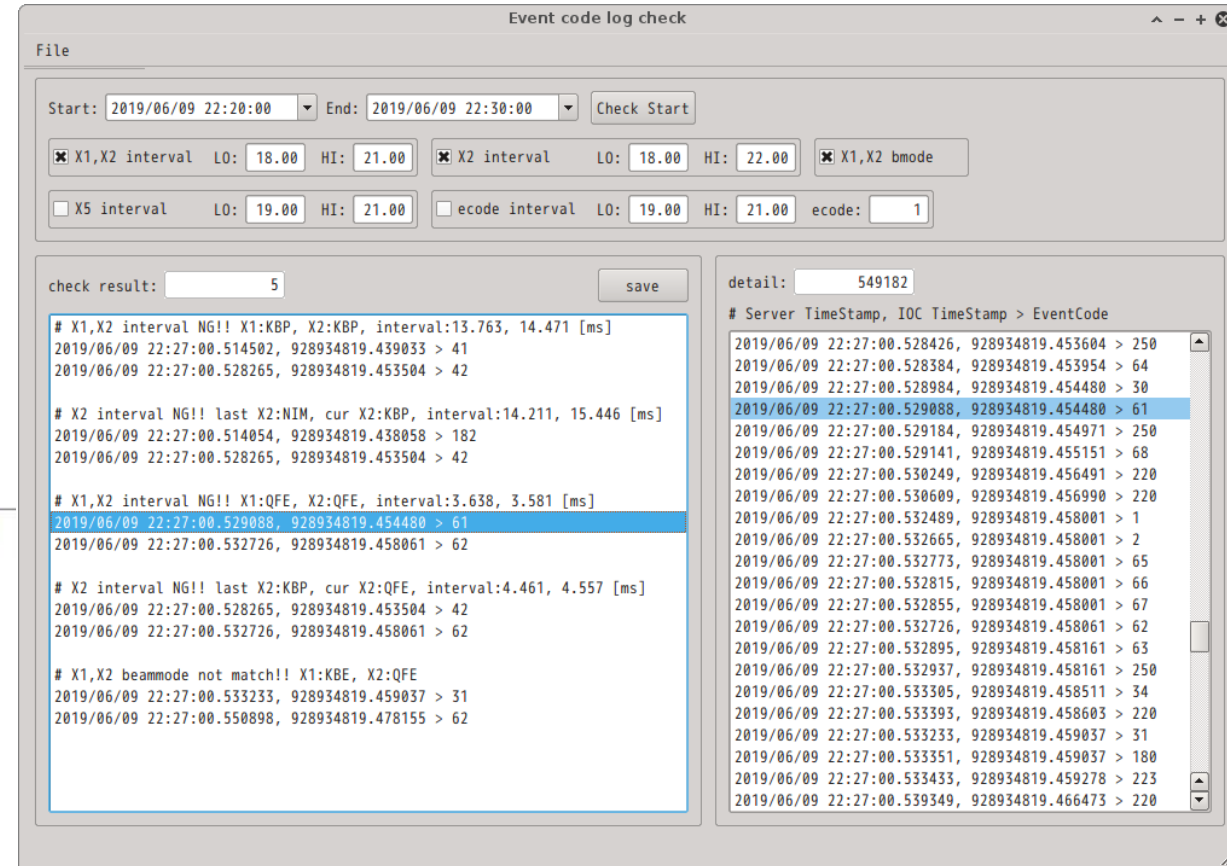


- Requirements:
  - Event code and nanosecond-level timestamp is needed
  - Two EVRs in one VME to monitor two lower-EVGs.
- Obstacles using Channel Access
  - **Some data lost** due to high CPU usage
  - EPICS period Scan task delay in VxWorks IOC is very high
- New approach Implementation:
  - An EPICS thread with a large size ring buffer is created
  - Fetch data and timestamp from EVR FIFO memory
  - Transmit to NFS server using binary format



- Using Python script check beam mode interval and event code
- Abnormal data is extracted
- Results are sent by email
- All actions automatically run every day

Subject	Date	Location
Subject: EVR Error information 2019/06/28 To: Me <sdcswd@post.kek.jp>		
***Important DO NOT REPLY! This is an automatic EVR Error notification message. Contact: Di Wang KEK (sdcswd@post.kek.jp)		
EVR Error information 2019/07/10	2019-07-11, 08:34	Inbox
EVR Error information 2019/07/09	2019-07-10, 08:33	Inbox
EVR Error information 2019/07/08	2019-07-09, 08:33	Inbox
EVR Error information 2019/07/07	2019-07-08, 08:33	Inbox
EVR Error information 2019/07/06	2019-07-07, 08:33	Inbox
EVR Error information 2019/07/05	2019-07-06, 08:31	Inbox
EVR Error information 2019/07/04	2019-07-05, 08:32	Inbox
EVR Error information 2019/07/03	2019-07-04, 08:33	Inbox
EVR Error information 2019/07/02	2019-07-03, 08:33	Inbox
EVR Error information 2019/07/01	2019-07-02, 08:33	Inbox
EVR Error information 2019/06/30	2019-07-01, 08:33	Inbox
EVR Error information 2019/06/29	2019-06-30, 08:33	Inbox
EVR Error information 2019/06/28	2019-06-29, 08:33	Inbox
EVR Error information 2019/06/27	2019-06-28, 08:33	Inbox
EVR Error information 2019/06/26	2019-06-27, 08:33	Inbox



Optional, manually check detailed data

- Event Timing System in SuperKEKB
- Event Fault Diagnosis System
  - Data Acquisition
  - Data Processing
- **Fault Diagnosis**
  - Beam Mode Replacement
  - Redundant Beam Mode
- Conclusion and Outlook

# Fault Diagnosis

## Beam mode repeat

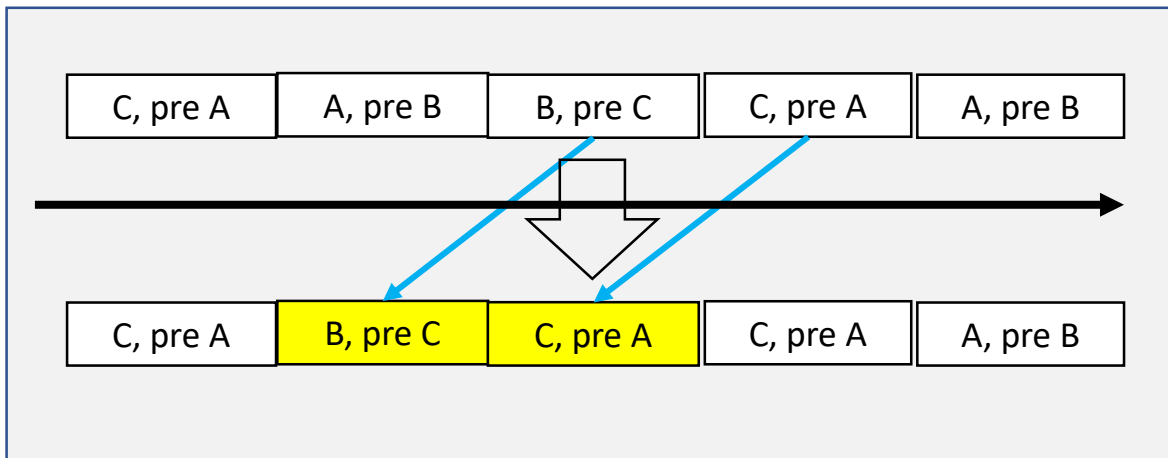
Excerpt of the abnormal

C	D	E	F	G	H	I	J	K	L	M	N	O	P	Q
pre pulse	pre kly timestamp	interval (ms)	current pulse	current kly timestamp	interval (ms)	next pulse	next kly timestamp	time						
	42	61	30	930272424.558212675		20.00	62	31	180					
	42	61	30	930272425.501544336		19.72	42	61	30					
	42	181	30	930272435.293183228		19.72	42	181	30					
182	181	40	930272435.273463366		19.72	42	181	30	930272435.316029315					2019-06-25 10:00:35
182	31	180	930272436.296947706		20.07	182	61	180	930272436.336880479					2019-06-25 10:00:36
182	61	180	930272436.336880479		22.85	182	181	40	930272436.377026146					2019-06-25 10:00:36
182	181	40	930272436.377026146		20.00	182	41	180	930272436.416750358					2019-06-25 10:00:36
182	181	40	930272442.958951776		22.85	42	181	30	930272442.998389215					2019-06-25 10:00:42
42	181	30	930272442.998389215		20.02	182	31	180	930272443.038913331					2019-06-25 10:00:43
182	61	180	930272445.025169494		20.21	182	181	40	930272445.068228466					2019-06-25 10:00:45
182	181	40	930272445.068228466		16.72	42	181	30	930272445.104949798					2019-06-25 10:00:45
15.36		62	31	180	930442228.038239154		4.88	62	31					
15.26		62	31	180	930457499.654572907		4.83	62	31					
15.88		62	31	180	930521630.014355470		4.76	62	31					
15.46		62	181	180	930545464.472894073		4.41	62	181					
42	61	30	930707588.269066456	15.44	62	31	180	930707588.27811808	4.75	62	31	180	930707588.293819502	2019-06-30 10:53:08
42	61	30	930708428.139723415	15.18	62	31	180	930708428.14441999	4.72	62	31	180	930708428.164375455	2019-06-30 11:07:08
42	61	180	930720659.424868872	15.66	62	181	180	930720659.42130794	4.26	62	181	180	930720659.448975665	2019-06-30 14:30:59
182	181	30	930970807.762007265		32	181	180	930970807.78727162	19.72	32	181	180	930970807.804573249	2019-07-03 12:00:07
182	181	30	931273231.402987394		32	181	180	931273231.42707291	19.72	32	181	180	931273231.445553378	2019-07-07 00:00:31

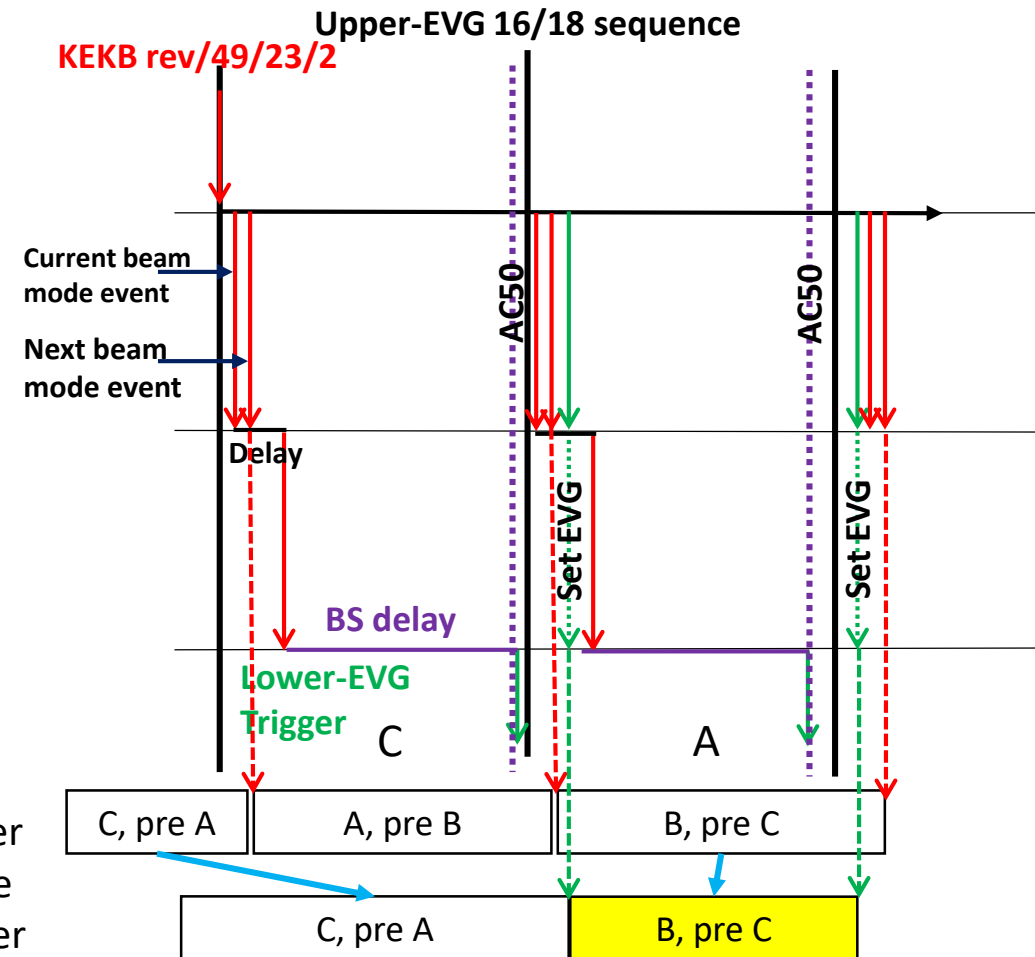
## Abnormal PF beam mode interval

# Beam Mode Replacement

- AC50 comes very late
  - AC power fluctuation
  - Alternating during 16/18 sequences injection
- Bucket Selection delay increases
- 'Set EVG' signal comes late than pre event
- Current beam mode is replaced by the next beam mode
- Happened 15 times during 2-weeks operation in June

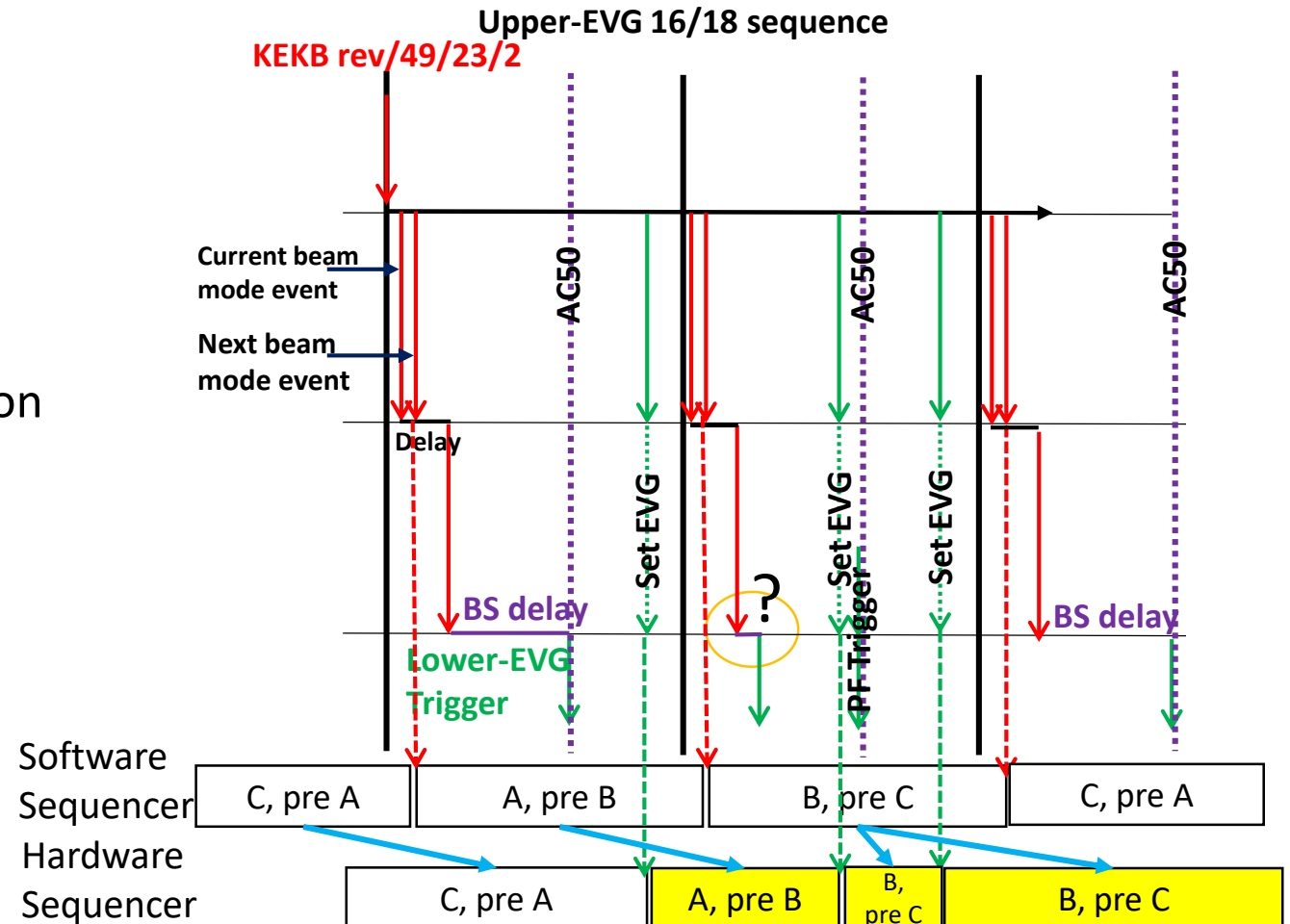
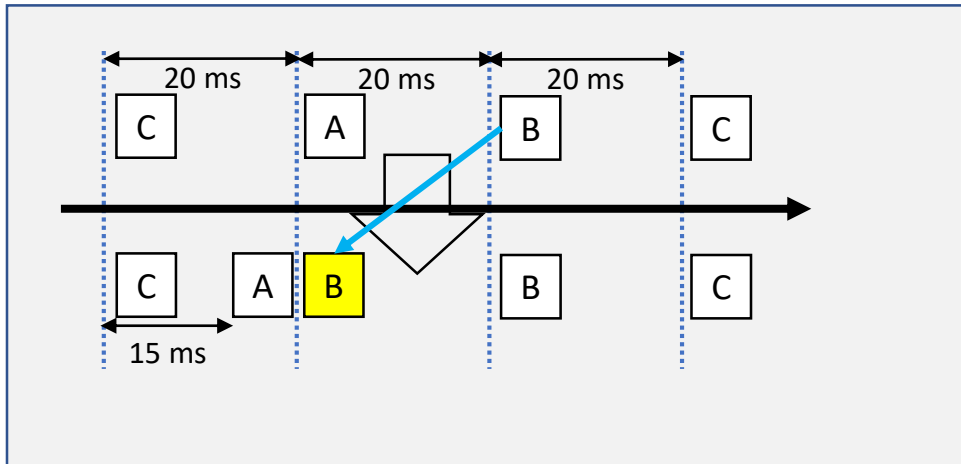


Software Sequencer  
Hardware Sequencer



# Redundant Beam Mode

- Abnormal value of the calculation of bucket selection of positron in DR and MR
- A positron beam mode comes about 5 ms earlier than normal
- Sequencer trigger source changed
- PF Trigger signal is later than 'Set EVG'
- Happened 10 times during 2-weeks operation in June



- Event Timing System in SuperKEKB
- Event Fault Diagnosis System
  - Data Acquisition
  - Data Processing
- Fault Diagnosis
  - Beam Mode Replacement
  - Redundant Beam Mode
- **Conclusion and Outlook**

- Solution of beam mode replacement:
  - Upgrade the 50 Hz generator module
  - Decrease reference interval of AC50 (Already done)
- Solution of redundant beam mode:
  - Temporarily separate the positron beam mode and PF mode
  - Figure out the reason of abnormal bucket selection delay
- Much more data required to diagnose the bucket selection program
- Near future: On-line alarm system
- Furthestmost, a fault prediction system based on time series forecasting models or deep learning



- Di. Wang
- [sdcswd@post.kek.jp](mailto:sdcswd@post.kek.jp)
- KEK Linac

