

REPLACEMENT PARTS

MODEL NO 2249W  
 ECON 1015  
 MCN 2

12-CHANNEL ADC

PRINTED 14-Feb-83  
 REV DATE 26-Oct-83  
 MCN DATE 07-Nov-83

LeCROY PART NO	DESCRIPTION	
102 145 104	CAP CERA DISC 12V .1 U PT-FDCL-1/32 LEADS 3/8 AWG 22	\$
102 245 103	CAP CERA DISC 25V .01 U PT-FDCL-1/32 LEADS 3/8 AWG 22	
102 245 503	CAP CERA DISC 25V .05 U PT-FDCL-1/32 LEADS 3/8 AWG 22	\$
102 444 101	CAP CERA DISC 100V 100 F 10% S3N	
102 444 220	CAP CERA DISC 100V 22 F 10% S2L	
102 444 330	CAP CERA DISC 100V 33 F 10% S2L	
102 745 102	CAP CERA DISC 500 .001 U PT-FDCL-1/32 LEADS 3/8 AWG 22	\$
102 944 150	CAP CERA DISC 1KV 15 F 10% S2L	
103 437 104	CAP CERA MONO 100V .1 U 20% GEN PURP/LEADS FULL LENGTH	
116 000 910	CAP DIP MICA SPECL 91 F 5% TC: 0 TO +70 PPM/C	
116 515 151	CAP DIP MICA DM10 150 F	
116 515 241	CAP DIP MICA DM10 240 F	
116 525 691	CAP DIP MICA DM15 690 F	
125 535 103	CAP POLYCARB FILM .01 U 50V 5%	
141 494 225	CAP TANT (MINI) 2.2 U AXIAL LEADS/ .075 X .250	
142 124 476	CAP TANT DIP CASE 47 U 6.3V 20% .335 X .394	\$
142 824 695	CAP TANT DIP CASE 6.8 U 35V 20% .256 X .374	\$
147 147 090	CAP ALUM METAL CAN 90 U 6V -10 +75% .328 X .578	\$
158 639 001	CAP VARI CERA 5.0 - 25 F PURPLE MARK .240 HI .220 DIA	
158 819 001	CAP VARI CERA 3.5 - 18 F BLUE MARK .240 HI .220 DIA	
161 030 000	RES COMP ZERO OHM	
161 225 242	RES CARBON FILM 2.4 1/8W 5%	
161 335 047	RES CARBON FILM 4.7 OHM 1/4W 5%	
161 335 056	RES CARBON FILM 5.6 OHM 1/4W 5%	
161 335 101	RES CARBON FILM 100 OHM 1/4W 5%	
161 335 102	RES CARBON FILM 1 1/4W 5%	
161 335 103	RES CARBON FILM 10 1/4W 5%	
161 335 104	RES CARBON FILM 100 1/4W 5%	
161 335 121	RES CARBON FILM 120 OHM 1/4W 5%	
161 335 122	RES CARBON FILM 1.2 1/4W 5%	
161 335 151	RES CARBON FILM 150 OHM 1/4W 5%	
161 335 152	RES CARBON FILM 1.5 1/4W 5%	
161 335 153	RES CARBON FILM 15 1/4W 5%	
161 335 182	RES COMP 1/4W 5% 1.8 1/4W 5%	
161 335 200	RES CARBON FILM 20 OHM 1/4W 5%	

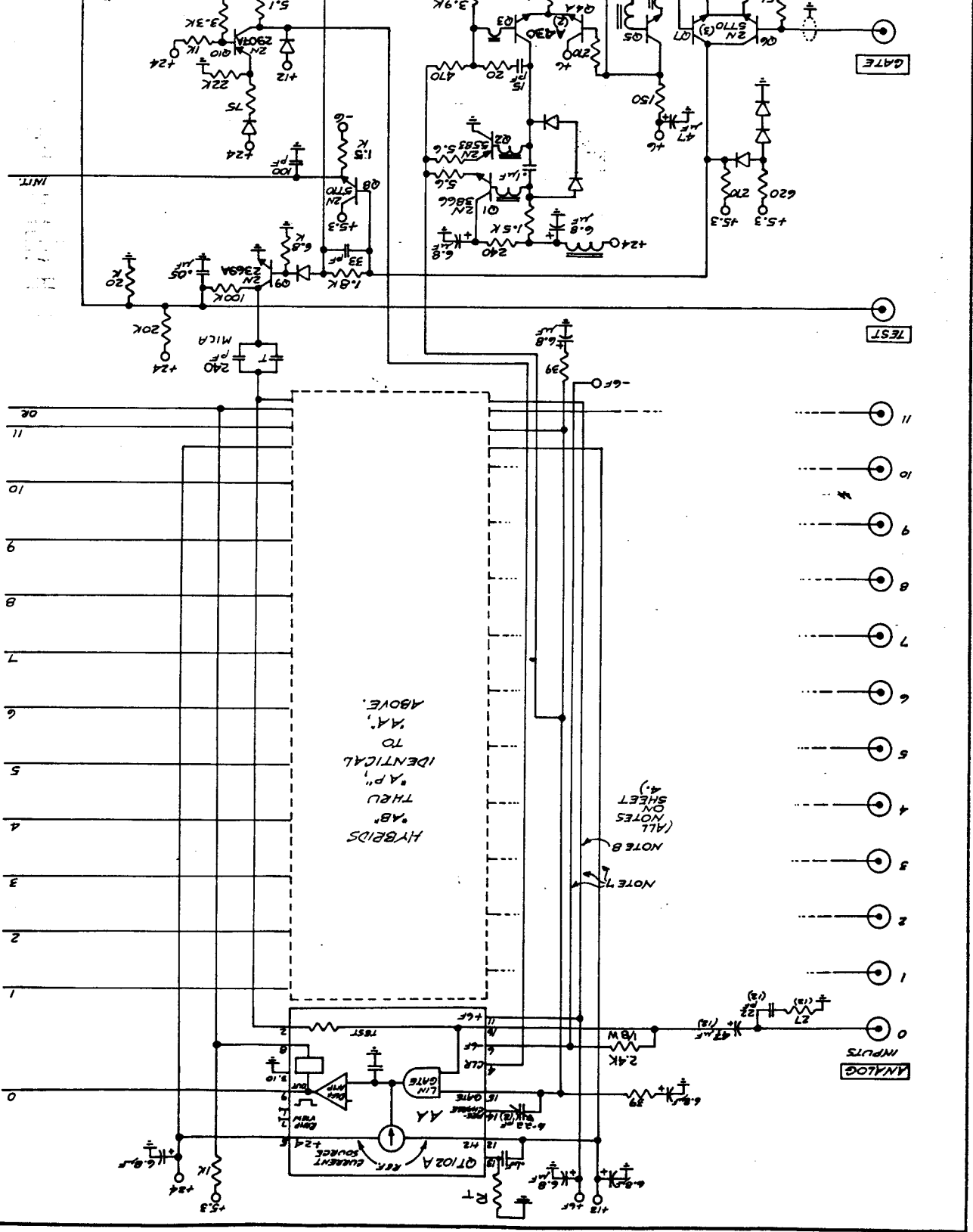
TEST INPUT  
 FPC  
 INCF.  
 GATE MH.  
 RESET  
 MNT.

LeCROY RESEARCH SYSTEMS CORPORATION  
 WEST NYACK, NEW YORK

12-CHANNEL ADC  
 MODEL 2249 W

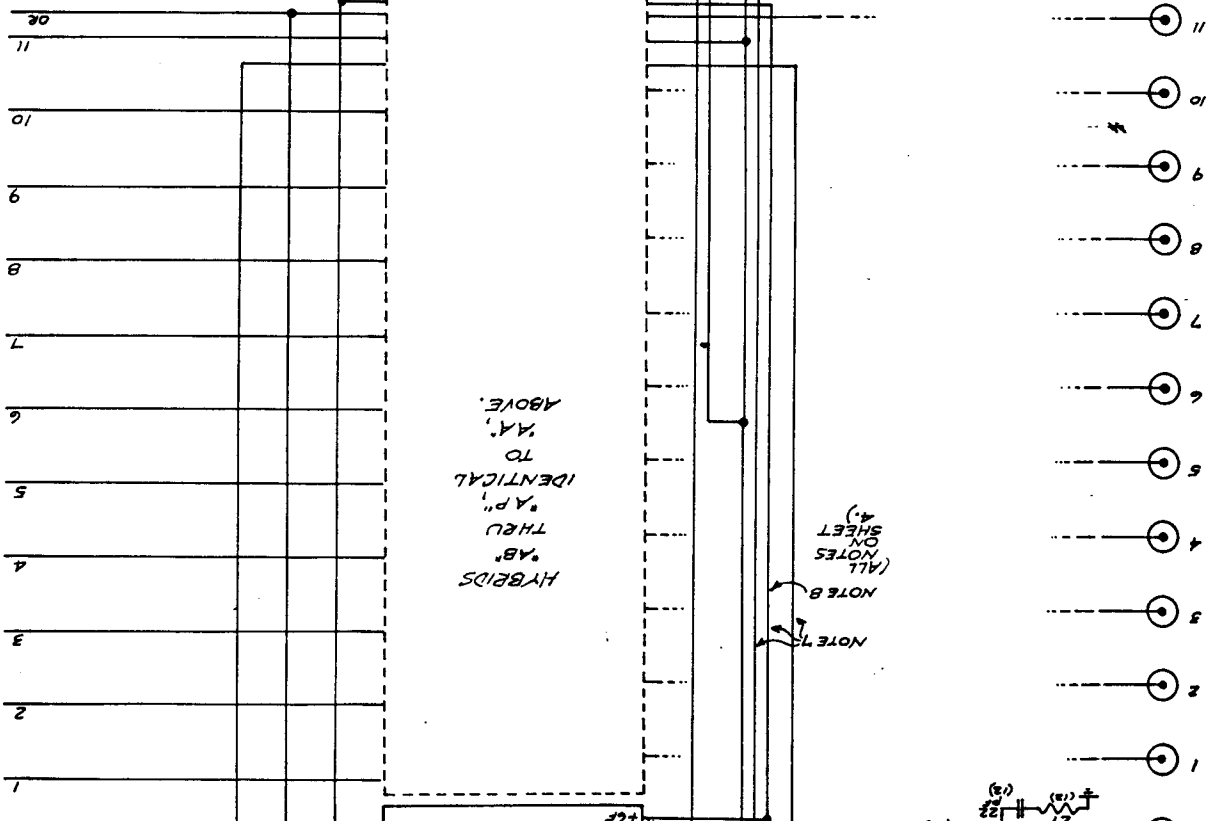
DRAWN BY A. ANDRES  
 CHECKED BY [Signature]  
 DATE 10-5-76

DRAWING No. 2249 W-51 SHEET 100 No. 1015  
 OF 4 DATE 10-26-83



HYBRIDS  
 'AB'  
 'AP'  
 IDENTICAL  
 TO  
 'AA'  
 ABOVE.

NOTE 7  
 NOTE 8  
 (ALL NOTES ON SHEET 4)



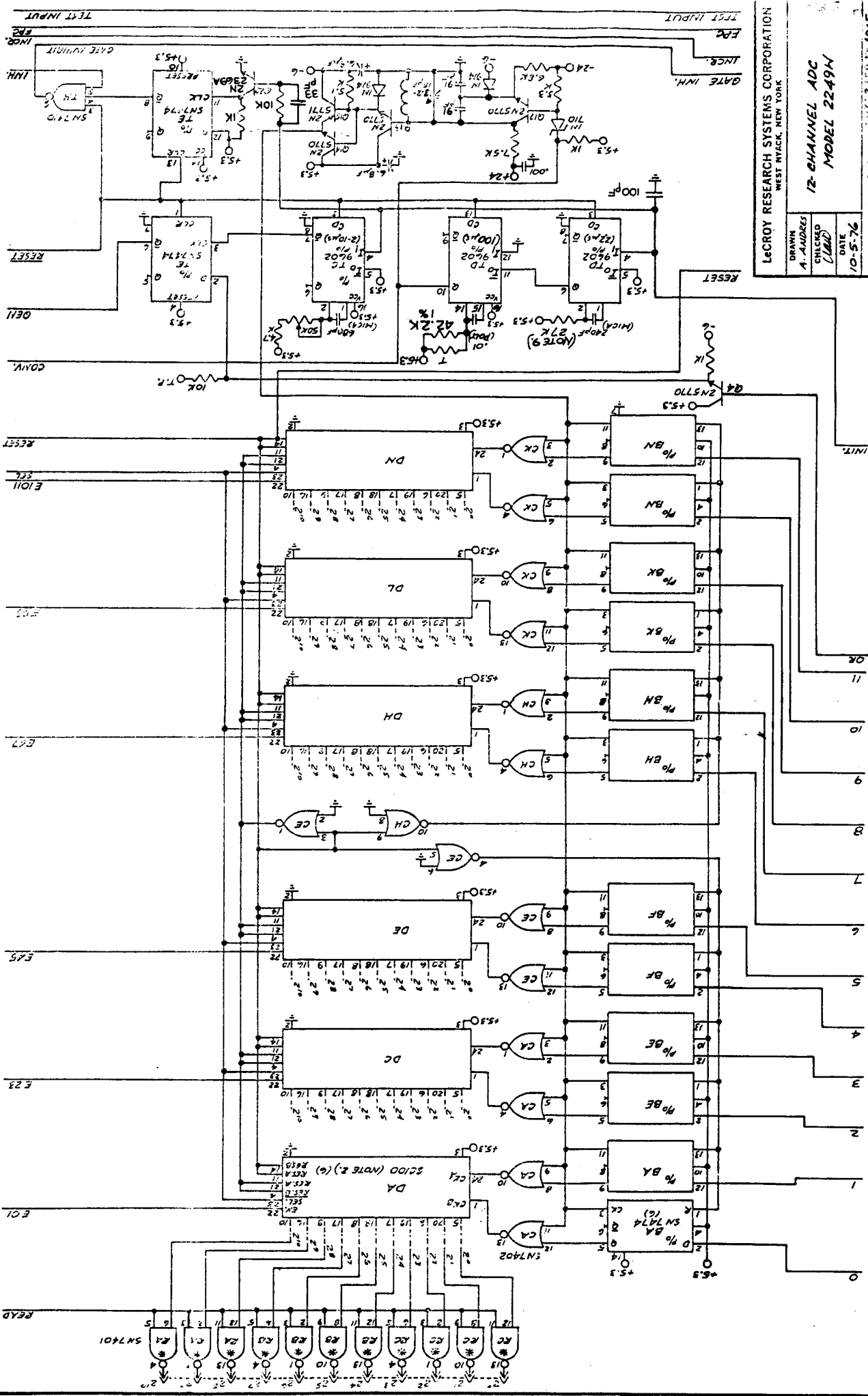
ANALOG  
 INPUTS

GATE

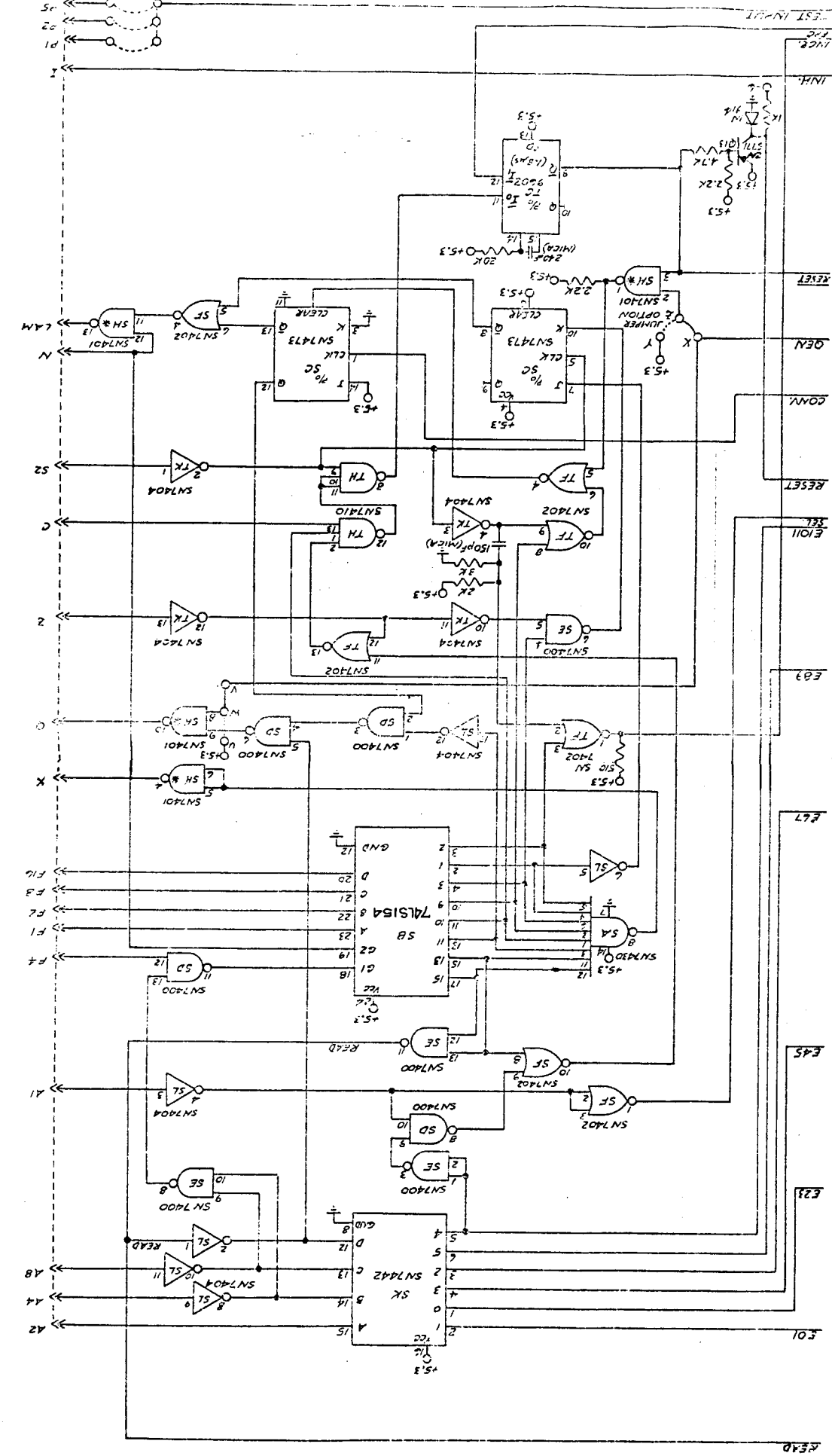
TEST

CLEAR

**LeCROY RESEARCH SYSTEMS CORPORATION**  
 WEST NYACK, NEW YORK  
**12-CHANNEL ADC**  
**MODEL 22-49N**  
 DRAWN A. HADDES  
 CHECKED (LMB)  
 DATE 10-5-76  
 PART NO. 2249N-51



TEST INPUT  
 GATE INH.  
 RESET  
 COMPV.  
 DEFL.  
 E1011  
 E87  
 E45  
 E23  
 READ  
 0  
 1  
 2  
 3  
 4  
 5  
 6  
 7  
 8  
 9  
 10  
 11  
 INIT.



LECROY RESEARCH SYSTEMS CORPORATION  
 WEST YARON, NEW YORK  
**12 CHANNEL ADC**  
**MODEL 2249 W**

DRAWN BY	A. ROBERTS
CHECKED BY	(Signature)
DATE	10-5-76

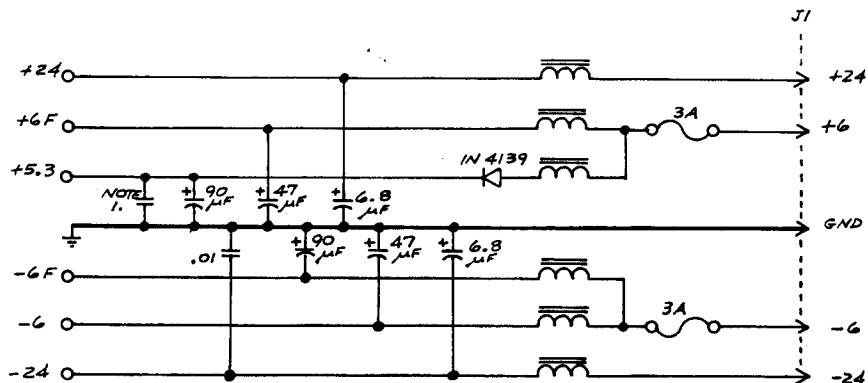
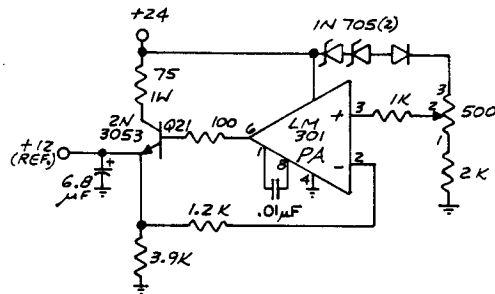
DRAWING No. 2249W-51 SHEET 3 OF 4 No. 1015

ALL NOTES ON SHEET 4.



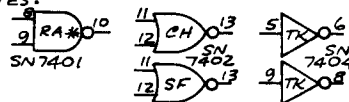
VOLTAGE PINS:

I.C.	REFERENCE	+24V	+12V	+6V	+5.3V	-6V	GND	-24V
LM 301	PA	7						
Q102	AA, AB, AC, AD, AE, AS, AH, AK, AL, AM, AN, A'	6	12	11		9	3, 10	
SC100	DA, DB, DE, DH, DL, DN							2
SN 7400	3D, SE				13		7	
7401	RA, RB, RC, SH				14		7	
7402	CA, CB, CH, CK, CF, TE				15		7	
7404	TA				16		7	
7410	TA				17		7	
7410	SA				18		7	
7448	SK				19		7	
7473	SC				20		7	
7474	BA, BE, BC, BH, BE, BH, TE				21		7	
74L2159	SB				22		7	
9552	TC, TD				16		8	



NOTES:

- 1). ADDITIONAL CAPACITORS ON VOLTAGE BUSES, NOT SHOWN
- 2). ALL SC100-S ARE WIRE OR-Ø.
- 3). "T" DESIGNATES VALUE TO BE CHOSEN AT TEST.
- 4). \* DENOTES OPEN COLLECTOR.
- 5). UNUSED GATES:



- 6). ALL UNIDENTIFIED DIODES ARE 1N4448 OR 1N914.
- 7). NOT SHOWN: 2.2µF CAPACITORS ON +6V, -6V AND +12V BUSES TO GROUND.
- 8). 6.8µF CAPACITORS ON +6V BUS, NOT SHOWN.
- 9). THIS RESISTOR VALUE MAY VARY, IF HYBRIDS OTHER THAN QT 102A-S ARE USED.

**LECROY RESEARCH SYSTEMS CORPORATION**  
WEST YANCK, NEW YORK

12-CHANNEL ADC  
MODEL 2249M

DATE 10-5-76

DRAWING No. 2249M-S1

SHEET NO. 1 OF 1